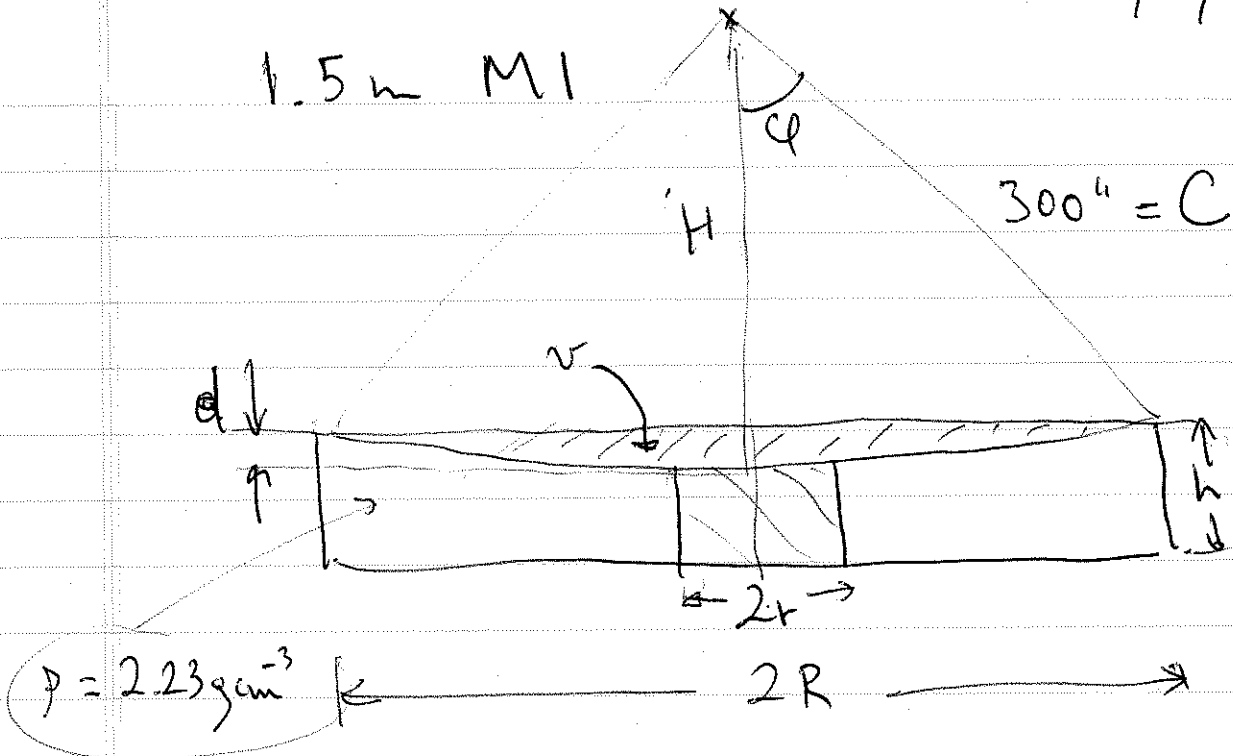


8/6/14



$$r = \frac{9.275}{2} \approx 4.64$$

$$R = \frac{61.7}{2} \approx 30.85$$

$$h = 8.16$$

$$\sin \phi = \frac{R}{C} \Rightarrow \alpha \approx 5.90$$

$$H = C \cos \alpha \approx 298.4$$

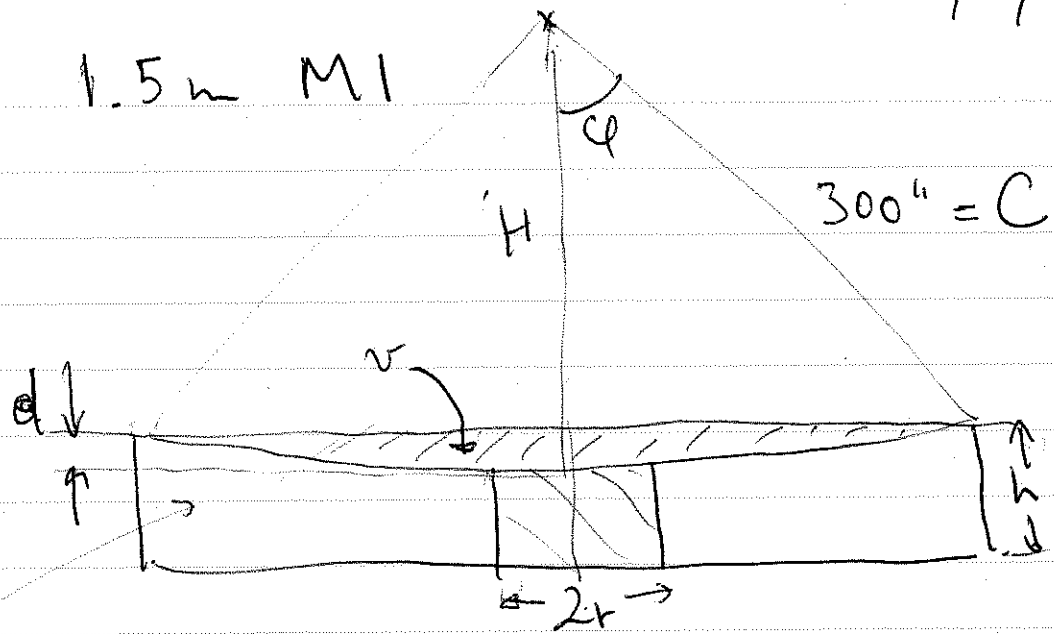
$$\Rightarrow d = C - H \approx 1.6$$

$$V = \pi R^2 h - \pi r^2 (h - d) - \frac{\pi d (3R^2 + d^2)}{6}$$

$$m = \rho V \approx 788 \text{ kg} \approx 1733 \text{ lb}$$

8/6/14

1.5 m MI



$\rho = 2.23 \text{ g cm}^{-3}$

Schott Duran 50

$$r = \frac{9.275}{2} \approx 4.64$$

$$R = \frac{61.7}{2} \approx 30.85$$

$$h = 8.16$$

$$\sin \phi = \frac{R}{C} \Rightarrow \alpha \approx 5.90$$

$$H = C \cos \alpha \approx 298.4$$

$$\Rightarrow d = C - H \approx 1.6$$

$$V = \pi R^2 h - \pi r^2 (h - d) - \frac{\pi d (3R^2 + d^2)}{6}$$

$$m = \rho V \approx 788 \text{ kg} \approx 1733 \text{ lb}$$